

Project: _____

Fixture Type: _____

Location: _____

Contact/Phone: _____

JRT2-4-5CCT-S-NE26

4" LED Round Smooth Selectable 5 CCT Retrofit Kit



The JRT2-4-5CCT-S-NE26 is 4 inch Economy version of LED Retrofit Kit with Round Smooth. This LED retrofit is CCT adjustable. It is compatible with most of 4 inch standard recessed new construction and remodel housings.

DESCRIPTION

- Conduit quick-connect connectors facilitate installation.
- Use select 5 kinds of CCT with a switch on the driver.
- Cast aluminum trim routes heat away from electrical components.
- 3 Tension clips pre-installed on unit for easy installation.

LED LIGHT ENGINE

- Protected LED driver performs at 120V
- Dimmable to 10% with most standard triac dimmers
- 5 Position CCT Selectable switch (2700K / 3000K / 3500K / 4000K / 5000K)
- CRI 90
- Long life LED chips guaranteed up to 50,000 hours / 5 year warranty

WARRANTY

Guaranteed five years from the purchase date of the product, against mechanical defects in manufacturing.

LISTINGS

- cULus classified
- Wet locations
- RoHS compliances

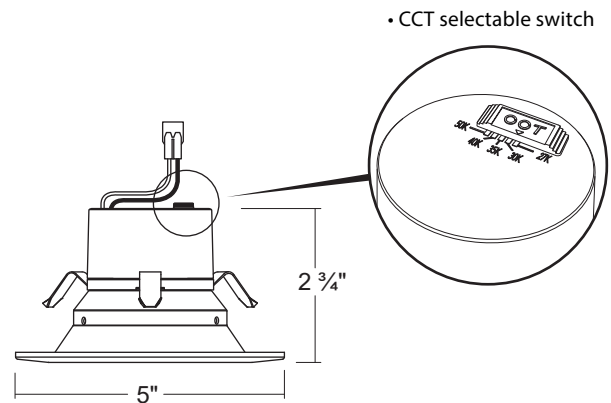
PERFORMANCE DATA

Input Voltage	120V				
Input Power	10W				
Frequency	50/60Hz				
CRI	90				
T Ambient	-30°C~40°C (-22°F~104°F)				
CCT	2700 K	3000 K	3500 K	4000 K	5000 K
Lumens	770 lm	780 lm	790 lm	790 lm	790 lm

(all values at 25°C without a dimming control in circuit)



DIMENSIONS



Triac Dimmer List (120V)		
Mfr	Model #	Dimming Rate
COOPER	DLC03P	10 - 100%
Leviton	1A1505 / 1C1605	10 - 100%
Leviton	6631 / 6633	10 - 100%
Lutron	CT-603PG / CT-600PR	10 - 100%
Lutron	DV-600PR / DV603PG	10 - 100%
Lutron	DVW-603PGH / DVCL-153P	10 - 100%
Lutron	MACL-153M / TGCL-153P	10 - 100%
Lutron	S-600PR / S-2-LH	10 - 100%