

Project: _____

Fixture Type: _____

Location: _____

Contact/Phone: _____

The JT6-DISC-3CCT is 6 inch LED Disc light for square and octagonal 4 inch J-Box. The simple design with the built-in driver has a minimum of installation procedures. It makes the installation easier and faster than other types of Disc lights. It can switch between 3000K, 4000K, and 5000K.

DESCRIPTION

- Aluminum body dissipates heat from the LED board.
- Fast and easy installation.
-

LED LIGHT ENGINE

- Dimming down to 5 or 10% with most dimmers.
- Suitable for operation in ambient not exceeding 40 °C
- Switch between 3000K, 4000K, and 5000K
- CRI ≥90
- Long life LED chips guaranteed up to 50,000 hours.

WARRANTY

Guaranteed five years from the purchase date of the products, against mechanical defects in manufacturing.

LISTINGS

- cULus Listed
- Energy star qualified
- Wet locations (Not suitable for coastal/salt water area)
- Damp locations
- RoHS compliances
- Tested in accordance with IESNA LM79 & LM80

PERFORMANCE DATA

| | |
|---------------|----------------------------------|
| Input Voltage | 120V |
| Input Power | 16W |
| Frequency | 60Hz |
| CRI | 90 |
| T Ambient | -30 °C ~ 40 °C (-22 °F ~ 104 °F) |
| CCT | 3000 K / 4000 K / 5000 K |
| Lumens | 1050 lm |

(all values at 25°C without a dimming control in circuit)

ACCESSORY KIT

Basic Accessories for J-Box Installation

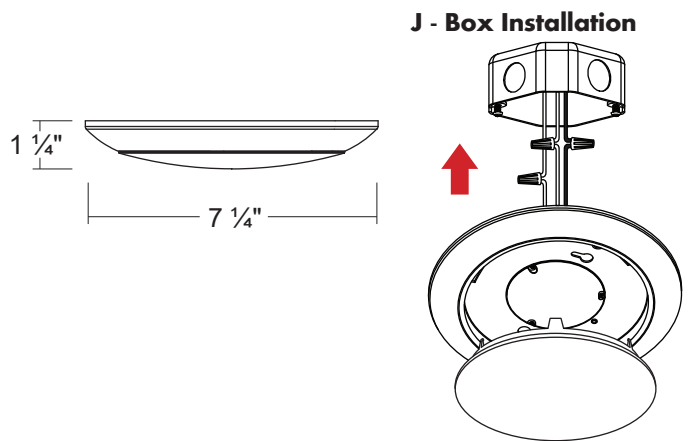


JT6-DISC-3CCT

6" LED Disc Light 3CCT



DIMENSIONS / INSTALLATION



| 120V Dimmer List | | | |
|-----------------------|---------------|------------------------|-----------|
| Dimming Rate (5-100%) | | Dimming Rate (10-100%) | |
| Mfr | Model # | Mfr | Model # |
| Emerson | US9031 (SW90) | Lutron | MAELV-600 |
| Leviton | IPL06 | Lutron | AYLV-600P |
| Leviton | 6674 | Lutron | TGCL-153P |
| Leviton | VP106 | Lutron | NTEVL-300 |
| Lutron | SCL-153P | Lutron | TG-603PG |
| Lutron | DV-603PG | Lutron | NTLV-600 |