

Project: \_\_\_\_\_

Fixture Type: \_\_\_\_\_

Location: \_\_\_\_\_

Contact/Phone: \_\_\_\_\_

The JT4-DISC-MOT-3CCT is 4 inch LED Disc light for square and octagonal 4 inch J-Box. The simple design with the built-in driver has a minimum of installation procedures. It makes the installation easier and faster than other types of Disc lights. It can switch between 3000K, 4000K, and 5000K.

## DESCRIPTION

- Built-in motion sensor
- Aluminum body dissipates heat from the LED board.
- Fast and easy installation.

## LED LIGHT ENGINE

- Dimming down to 5 or 10% with most dimmers.
- Suitable for operation in ambient not exceeding 40 °C
- Switch between 3000K, 4000K, and 5000K
- CRI ≥90
- Long life LED chips guaranteed up to 50,000 hours.

## WARRANTY

Guaranteed five years from the purchase date of the products, against mechanical defects in manufacturing.

## LISTINGS

- c-ULus listed
- Energy star qualified
- Wet locations (Not suitable for coastal/salt water area)
- Damp locations
- RoHS compliances
- Tested in accordance with IESNA LM79 & LM80

## PERFORMANCE DATA

Input Voltage	120V
Input Power	13W
Frequency	60Hz
CRI	90
T Ambient	-30 °C ~40 °C (-22 °F ~104 °F)
CCT	3000 K / 4000 K / 5000 K
Lumens	800 lm

(all values at 25°C without a dimming control in circuit)

## ACCESSORY KIT

Basic Accessories for J-Box Installation

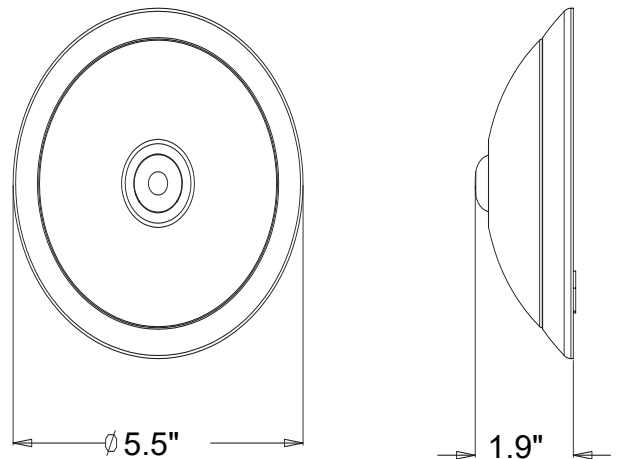


# JT4-DISC-MOT-3CCT

4" LED Motion Disc Light 3CCT



## DIMENSIONS / INSTALLATION



### 120V Dimmer List

Dimming Rate (5-100%)		Dimming Rate (10-100%)	
Mfr	Model #	Mfr	Model #
Emerson	US9031 (SW90)	Lutron	MAELV-600
Leviton	IPL06	Lutron	AYLV-600P
Leviton	6674	Lutron	TGCL-153P
Leviton	VP106	Lutron	NTEVL-300
Lutron	SCL-153P	Lutron	TG-603PG
Lutron	DV-603PG	Lutron	NTLV-600