

Project: _____

Fixture Type: _____

Location: _____

Contact/Phone: _____

The JRT2-56-3CCT-S-NE26 is 5 and 6 inch Economy version of LED Retrofit Kit with Smooth. This LED retrofit is CCT adjustable. It is compatible with most of 5 and 6 inch standard recessed new construction and remodel housings. The Retrofit Kit comes with a E26 medium screw-base Edison adapter for easy installation into standard incandescent sockets.

DESCRIPTION

- Conduit quick-connect connectors facilitate installation.
- Use select 3 kinds of CCT with a switch on the driver.
- Oversized trim ring constructed from one-piece stamped aluminum body.
- Torsion spring mounting style are designed to accommodate most 5" and 6" standard and shallow housings.
- E26 medium screw-base Edison adaptor provides easy installation into Incandescent housings.
(GU10 and GU24 socket adaptor available - sold separately)

LED LIGHT ENGINE

- Protected LED driver performs at 120V.
- Dimming down to 10% with most dimmers.
- Available in CCT 2700K, 3000K, 3500K, 4000K, 4500K and 5000K
- CRI ≥90
- Long life LED chips guaranteed up to 50,000 hours.

WARRANTY

Guaranteed five years from the purchase date of the product, against mechanical defects in manufacturing.

LISTINGS

- cULus classified
- Energy star qualified
- Title 24 compliant
- Wet locations (Not suitable for coastal/salt water area)
- Damp locations
- RoHS compliances
- Tested in accordance with IESNA LM79 & LM80

PERFORMANCE DATA

| | | | |
|---------------|------------------------------|---------|--------|
| Input Voltage | 120V | | |
| Input Power | 13W | | |
| Frequency | 50 / 60Hz | | |
| C R I | 90 | | |
| T Ambient | -30 °C ~40 °C (-22°F ~104°F) | | |
| C C T | 3000 K | 4000 K | 5000 K |
| Lumens | 900 lm | 1010 lm | 900 lm |

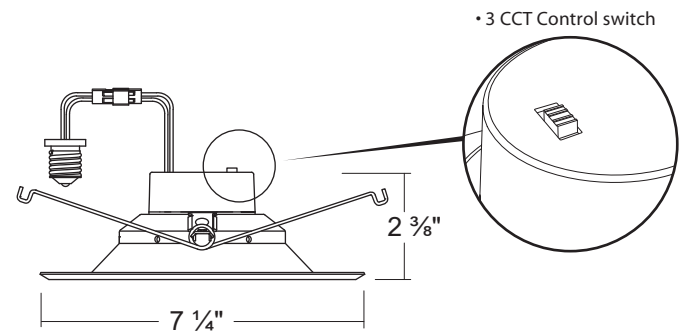
(all values at 25°C without a dimming control in circuit)

JRT2-56-3CCT-S-NE26

5 / 6" LED Smooth Retrofit 3 CCT Kit



DIMENSIONS



| 120V Dimmer List | | |
|------------------|------------------------|--------------|
| Mfr | Model # | Dimming Rate |
| COOPER | DLC03P | 10 - 100% |
| Leviton | 1A1505 / 1C1605 | 10 - 100% |
| Leviton | 6631 / 6633 | 10 - 100% |
| Lutron | CT-603PG / CT-600PR | 10 - 100% |
| Lutron | DV-600PR / DV603PG | 10 - 100% |
| Lutron | DVW-603PGH / DVCL-153P | 10 - 100% |
| Lutron | MACL-153M / TGCL-153P | 10 - 100% |
| Lutron | S-600PR / S-2-LH | 10 - 100% |