

Project:

Fixture Type:

Location:

Contact/Phone:

The JRT2-56-27K-NE26 is 5 / 6 inch LED Retrofit kit with Baffle. It is compatible with most of 5 and 6 inch standard recessed new construction and remodel housings. The retrofit kit comes with a E26 medium screw-base Edison adapter for easy installation into standard incandescent sockets.

DESCRIPTION

- Die cast aluminum heat sink dissipates heat from the LED board.
- 4 different colors for trim White, Black, Bronze, Satin Nickel.
- Torsion spring mounting style are designed to accommodate most 5" and 6" standard and shallow housings.
- E26 medium screw-base Edison adapter provides easy installation into Incandescent housings.

LED LIGHT ENGINE

- Protected LED driver performs at 120V.
- Dimming down to 10% with most dimmers (at 120V only).
- CCT 2700K
- CRI ≥90
- Long life LED chips guaranteed up to 50,000 hours.

WARRANTY

Guaranteed five years from the purchase date of the product, against mechanical defects in manufacturing.

LISTINGS

- cULus classified
- Energy star qualified
- Title 24 compliant
- Wet locations (Not suitable for coastal/salt water area)
- Damp locations
- RoHS compliances
- Tested in accordance with IESNA LM79 & LM80

PERFORMANCE DATA

Input Voltage	120V
Input Power	12W
Frequency	50 / 60Hz
C R I	90
T Ambient	-30 °C ~40 °C (-22 °F ~104 °F)
C C T	2700 K
Lumens	760 lm

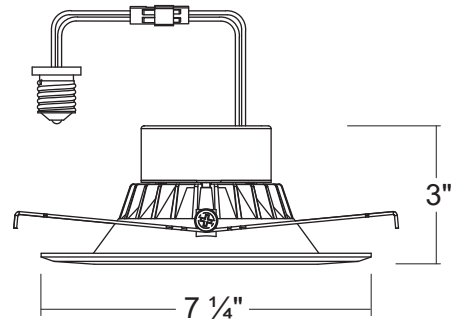
(all values at 25°C without a dimming control in circuit)

JRT2-56-27K-NE26

5" and 6" LED Baffle Retrofit Kit



DIMENSIONS



120V Dimmer List

Mfr	Model #	Dimming Rate
COOPER	DLC03P	10 - 100%
Leviton	1A1505 / 1C1605	10 - 100%
Leviton	6631 / 6633	10 - 100%
Lutron	CT-603PG / CT-600PR	10 - 100%
Lutron	DV-600PR / DV603PG	10 - 100%
Lutron	DVW-603PGH / DVCL-153P	10 - 100%
Lutron	MACL-153M / TGCL-153P	10 - 100%
Lutron	S-600PR / S-2-LH	10 - 100%