

Project: \_\_\_\_\_

Fixture Type: \_\_\_\_\_

Location: \_\_\_\_\_

Contact/Phone: \_\_\_\_\_

The JRT-3-SQ is 3, 3 1/2 and 3 5/8 inch LED Retrofit kit with Square Baffle. It is compatible with most of 3, 3 1/2 and 3 5/8 inch standard recessed new construction and remodel housings. The retrofit kit comes with a E26 medium screw-base Edison adapter for easy installation into standard incandescent sockets.

## DESCRIPTION

- Die cast aluminum heat sink dissipates heat from the LED board.
- 3 Tension clips pre-installed on unit for easy installation.
- E26 medium screw-base Edison adapter provides easy installation into Incandescent housings.

## LED LIGHT ENGINE

- Protected LED driver performs at 120V.
- Dimming down to 10% with most dimmers.
- CCT 3000K and 4000K
- CRI ≥90
- Long life LED chips guaranteed up to 50,000 hours.

## WARRANTY

Guaranteed five years from the purchase date of the product, against mechanical defects in manufacturing.

## LISTINGS

- cULus classified
- Energy star qualified
- Title 24 compliant
- Wet locations (Not suitable for coastal/salt water area)
- Damp locations
- RoHS compliances
- Tested in accordance with IESNA LM79 & LM80

## PERFORMANCE DATA

Input Voltage	120V	
Input Power	9W	
Frequency	50 / 60Hz	
C R I	90	
T Ambient	-30°C ~ 40°C (-22°F ~ 104°F)	
C C T	3000 K	4000 K
Lumens	620 lm	680 lm

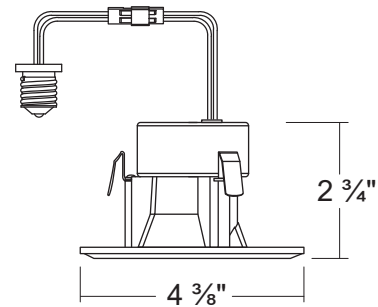
(all values at 25°C without a dimming control in circuit)

## JRT-3-SQ

3" LED Square Baffle Retrofit Kit



## DIMENSIONS



### 120V Dimmer List

Mfr	Model #	Dimming Rate
COOPER	DLC03P	10 - 100%
Leviton	1A1505 / 1C1605	10 - 100%
Leviton	6631 / 6633	10 - 100%
Lutron	CT-603PG / CT-600PR	10 - 100%
Lutron	DV-600PR / DV603PG	10 - 100%
Lutron	DVW-603PGH / DVCL-153P	10 - 100%
Lutron	MACL-153M / TGCL-153P	10 - 100%
Lutron	S-600PR / S-2-LH	10 - 100%