

Project: _____

Fixture Type: _____

Location: _____

Contact/Phone: _____

PRODUCT DESCRIPTION

This LED Housing series is designed for remodel applications and suitable for use in ceiling where the housing can be direct contact with insulation. Remodel housing install into existing drywall or wood ceiling with no above access. Air tight construction reduces energy costs by reducing the amount of air leakages through the ceiling.

PRODUCT SPECIFICATIONS

Junction Box

- Listed for through branch circuit wiring.
- Contains one 1-1/8", six 7/8" knockouts and four Romex pryouts with strain relief.

Ceiling Thickness

- Housing adjusts from 5/8" - 1 3/8" to accommodate various ceiling thickness.

Remodel Clips

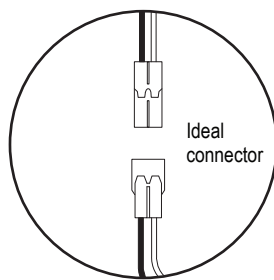
- Four remodel clips secure housing and accommodates 1/2" and 5/8" ceiling materials.

Listings

- cULus Listed for Damp Location
- cULus Listed for Feed Through
- Certified under ASTM-E283 for Air tight construction

CONNECT DIMMER SWITCH WIRING

Standard version
(Triac Dimming at 120V)

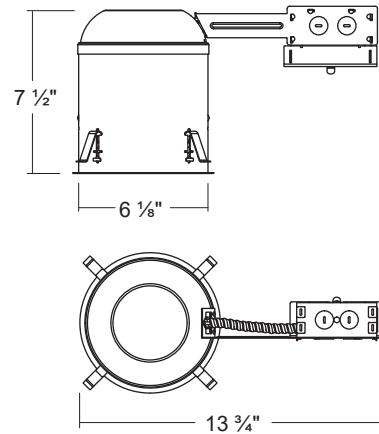


J7RIC-LED

6" IC LED Dedicated Can Remodel Housing



DIMENSIONS



COMPATIBLE TRIMS

Standard version

Catalog Number	Description
JRT2-56-XX-S	5 & 6" LED Retrofit / Smooth
JRT2-56-XX-BF	5 & 6" LED Retrofit / Baffle
JRT2-56-XX-SQ	5 & 6" LED Retrofit / Square
JRT-56-XX-ADJ	5 & 6" LED Retrofit / Gimbal