

JET LIGHTING®

DESCRIPTION

This product is UL fire rated and can be protected for 2 hours with a double wall fixture incorporates a non-combustible fiber insulation to prevent flames, toxic gases, and ignition gases from passing through. Suitable for Condominiums, Apartment Buildings, Multi-Family, Commercial and Residential applications. Luminaire provides up to 2 hours of protection in L500, L505, L511, L536, L538, L541, L556, L577, M500, M510, M521 and M543 Floor-Ceiling Designs.

FEATURES

- 2 HOURS FIRE RATED UL Listed (UL 1598 / UL 263)
- Air Tight (ASTM Standard E283-04)
- Pre-installed 3port push in quick connector
- 13-5/8" to 25" Swivel Hanger Bar with pre-installed nails
- Housing adjusts from 1-1/2" to accommodate various ceiling thickness
- E26 medium screw base socket with socket plate
- Spacing of luminaires not to exceed one per 25 sq ft of ceiling area with min separation of 3 ft between luminaires.

PLASTER FRAME

- Galvanized steel construction. The housing can be removed from plaster frame to provide access to the junction box.

HOUSING

- Die formed 22 guage galvanized steel construction. Housing interior is comprised of a flexible non-combustible insulation.

JUNCTION BOX

- Listed for through branch circuit wiring.
- Contains one 1-1/8", one 1/2", three 7/8" knockouts and four Romex pryouts with strain relief.

BAR HANGER

- Pre-installed Real nail easily installs in regular lumber, engineered lumber.
- Bar Hangers are adjustable from 13-5/8" to 25" and can be repositioned 90 degree on plaster frame.
- Swivel bar hanger which is bendable at 90 degree angle will help to install more easily.

THERMAL PROTECTOR

- Self resetting thermal protector deactivates fixture if overheating occurs due to improper lamping or misapplied insulation.

LISTINGS

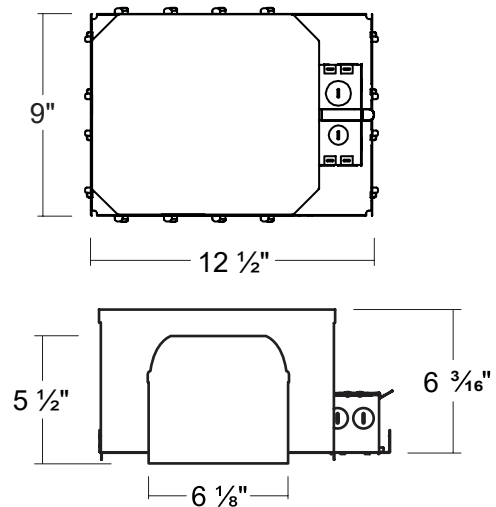
- cULus Listed for Damp Location
- cULus Listed for Wet Location (with specified trims)
- cULus Listed for Feed Through
- Certified under ASTM-E283 for Air tight construction

J7FRIC-LED-S

6" Incandescent Line Voltage IC AT Shallow New Construction Housing 2 Hours Fire Rated

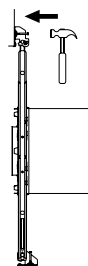


SPECIFICATIONS / DIMENSIONS



INSTALLATION BY SWIVEL BAR HANGER

Step 1.



Step 2.

